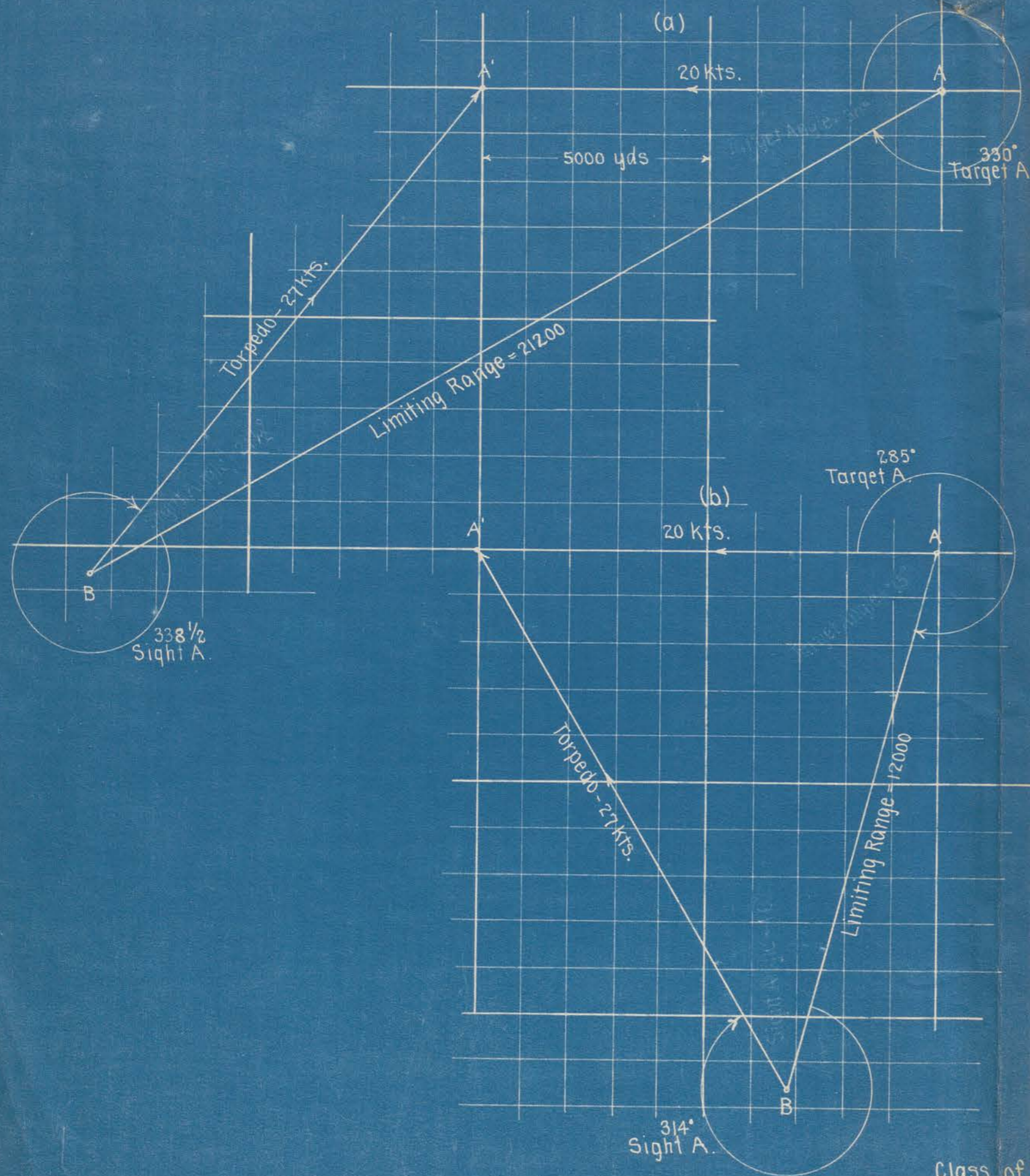
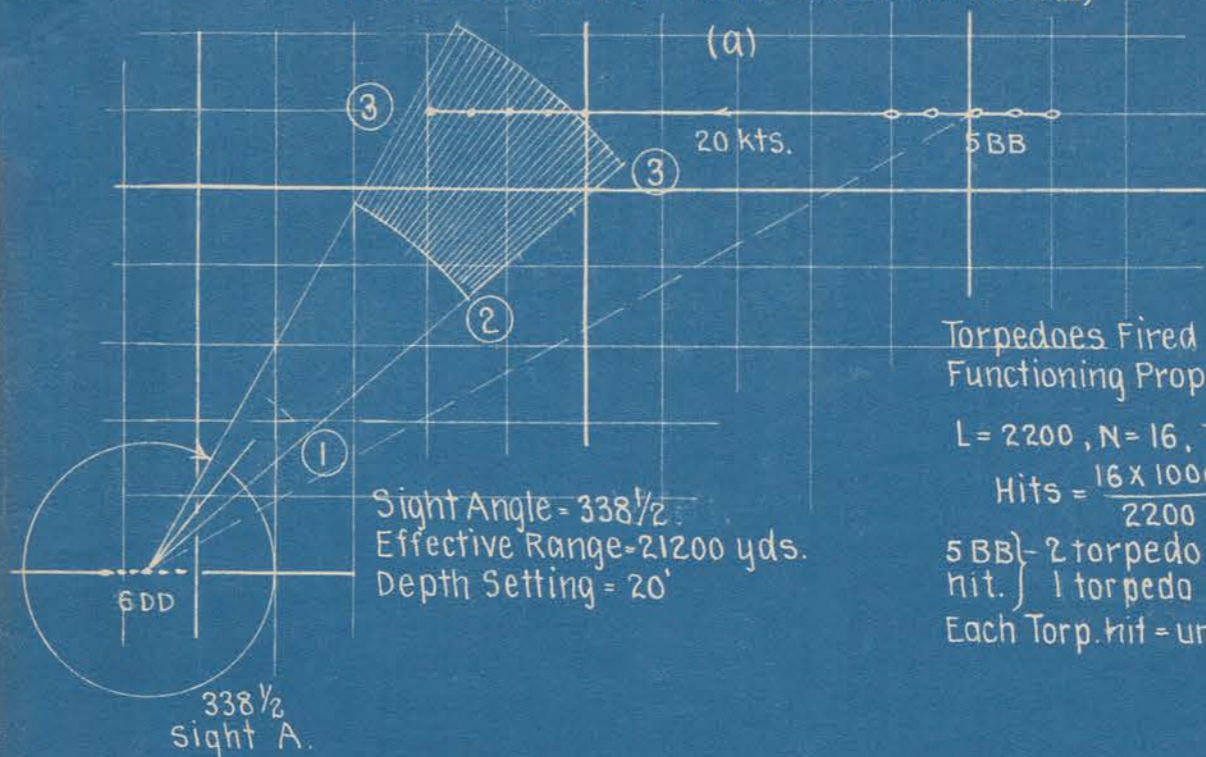


DEMONSTRATIVE TACTICAL EXERCISE NO. 2 (I)

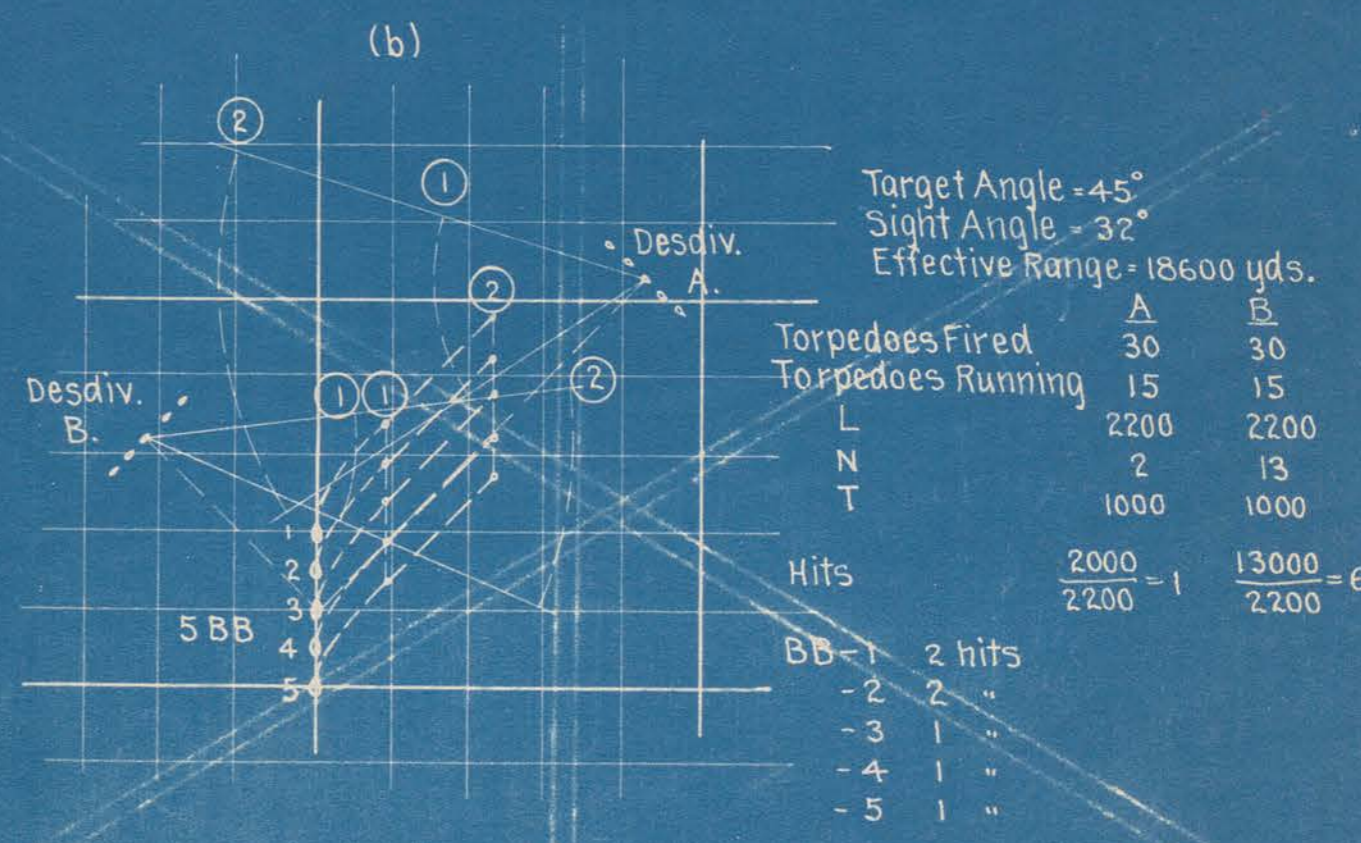


DEMONSTRATIVE TACTICAL EXERCISE NO. 2 (II)

1850



Torpedoes Fired = 36
 Functioning Properly = 27
 L = 2200, N = 16, T = 1000.
 Hits = $\frac{16 \times 1000}{2200}$
 5 BB - 2 torpedo hits each on 2 BB hit.
 1 torpedo hit each on 3 BB.
 Each Torp. hit = underwater damage 24-14" hits.



Class of 1934 - Sr.

DEMONSTRATIVE TACTICAL EXERCISE-2